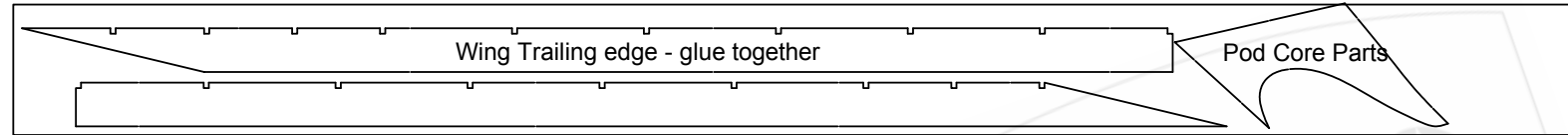
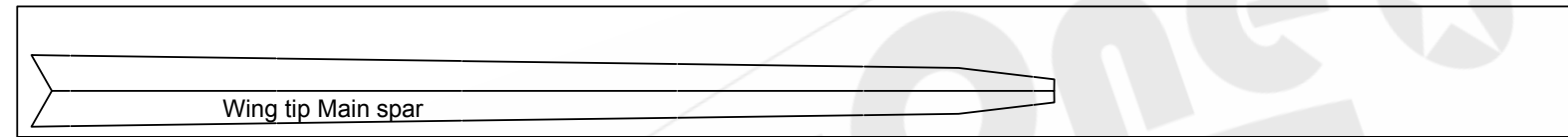


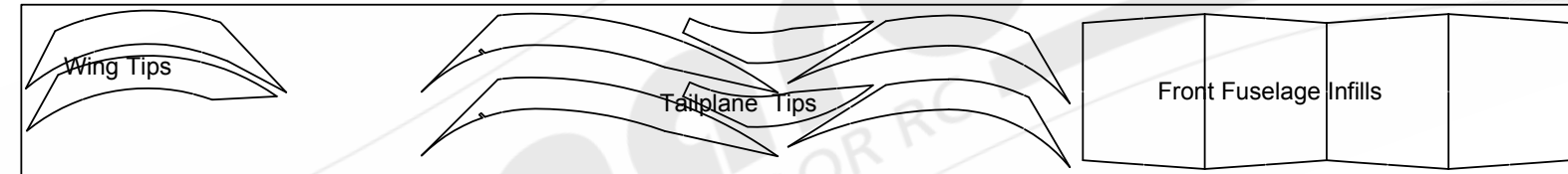
9.5 mm x75 Balsa Sheet



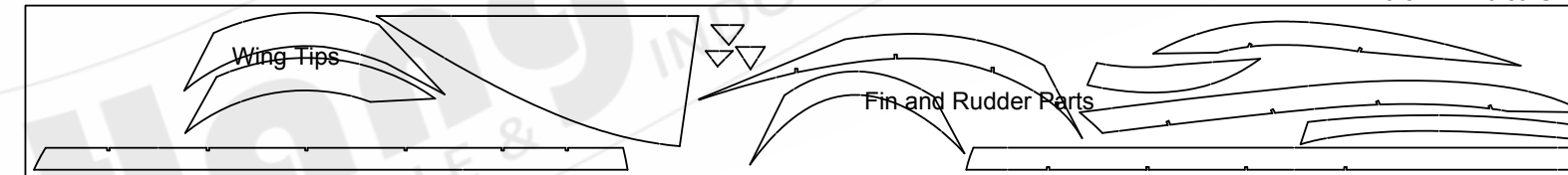
9.5 mm x 75 Balsa Sheet



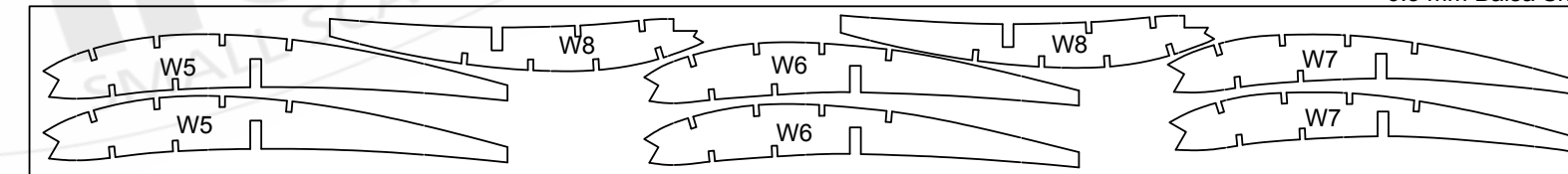
6.5 mm Balsa Sheet



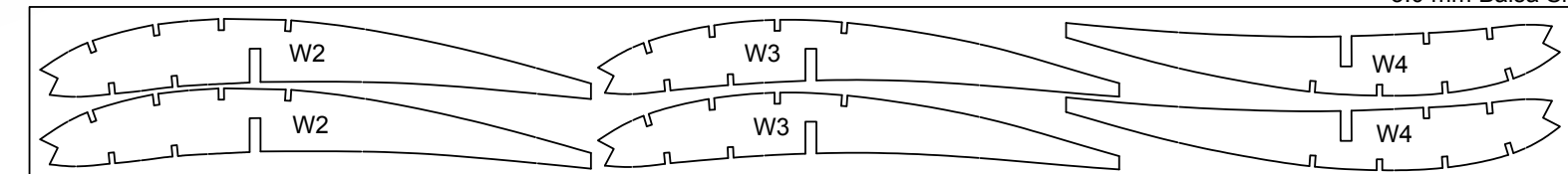
6.5 mm Balsa Sheet



6.5 mm Balsa Sheet

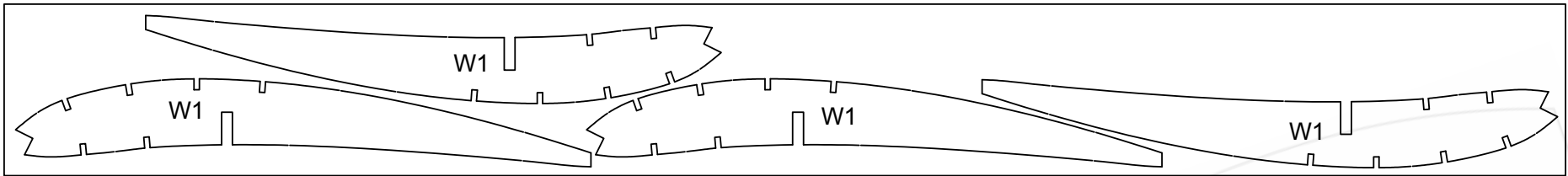


3.0 mm Balsa Sheet

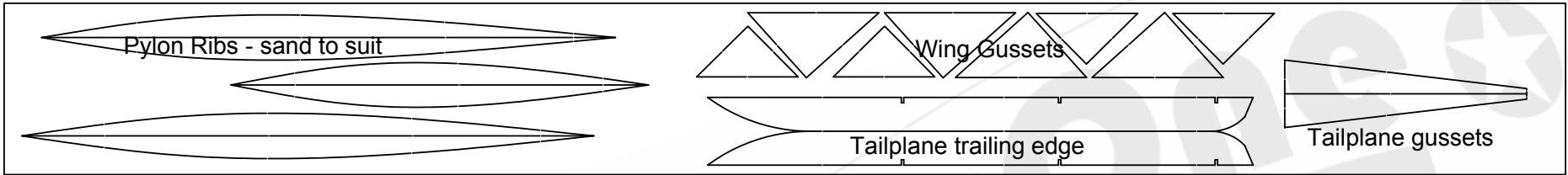


3.0 mm Balsa Sheet

Lanzo Bomber Parts Sheet



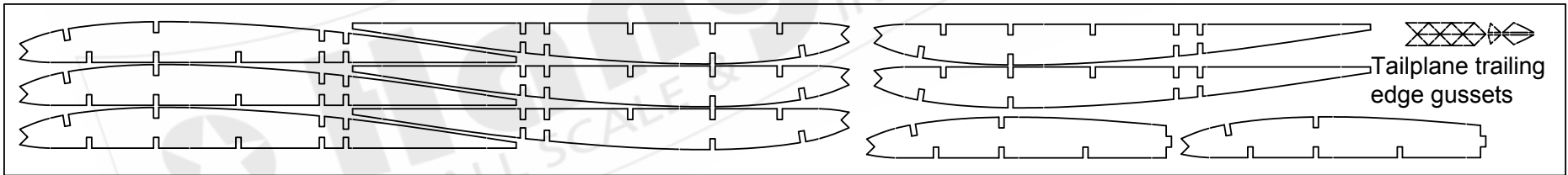
3.0 mm Balsa Sheet x 5 off



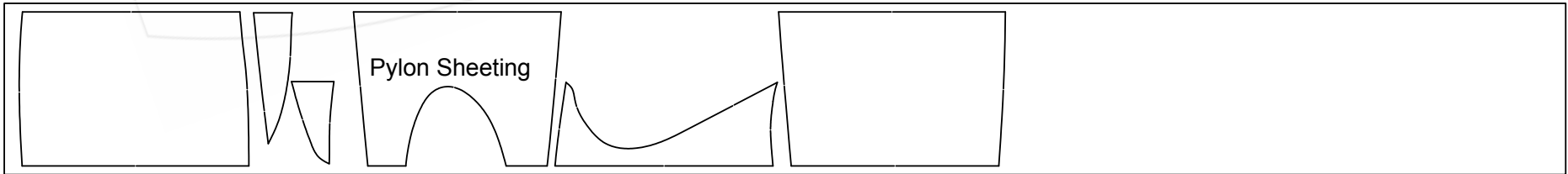
3.0 mm Balsa Sheet



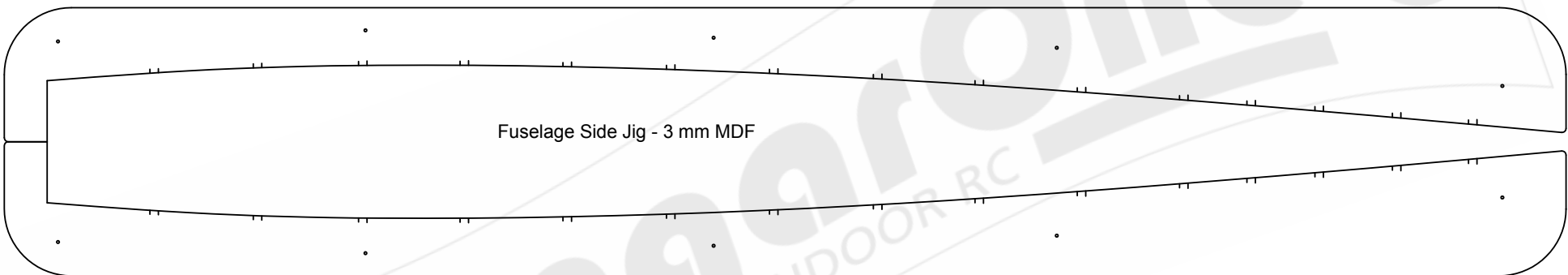
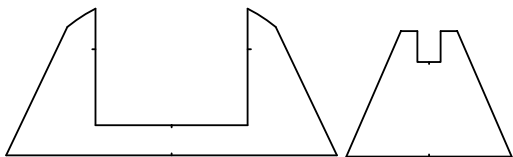
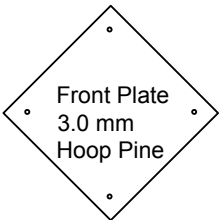
5.0 mm x 75 Balsa Sheet



1.5 mm Balsa Sheet



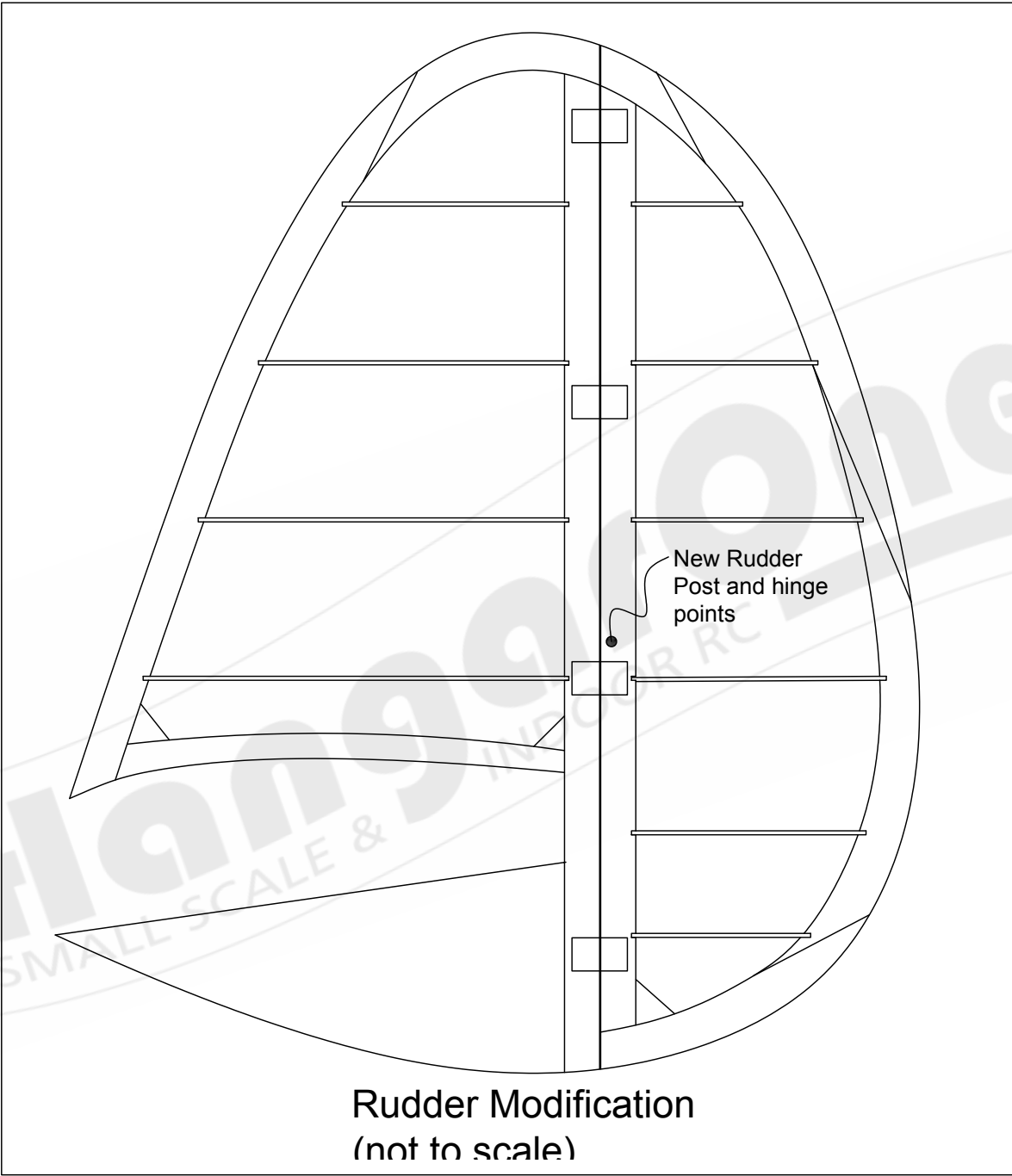
1.5 mm Balsa Sheet x 2

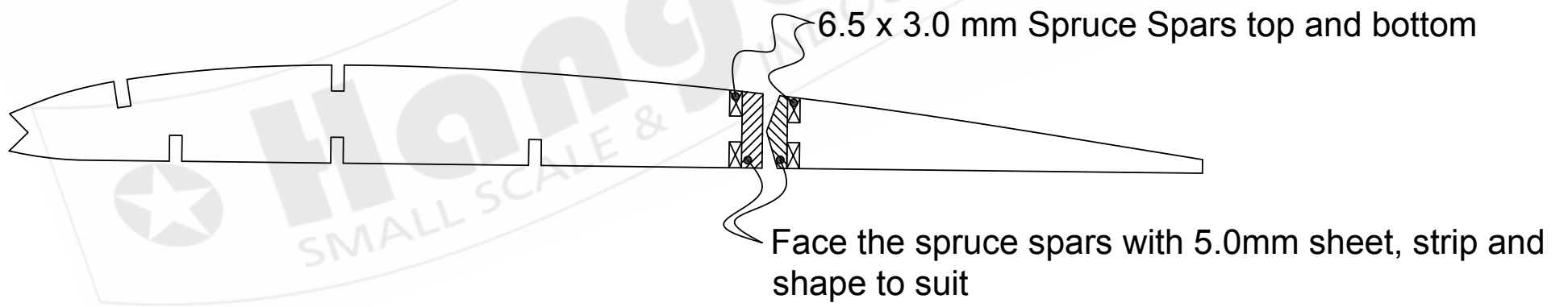
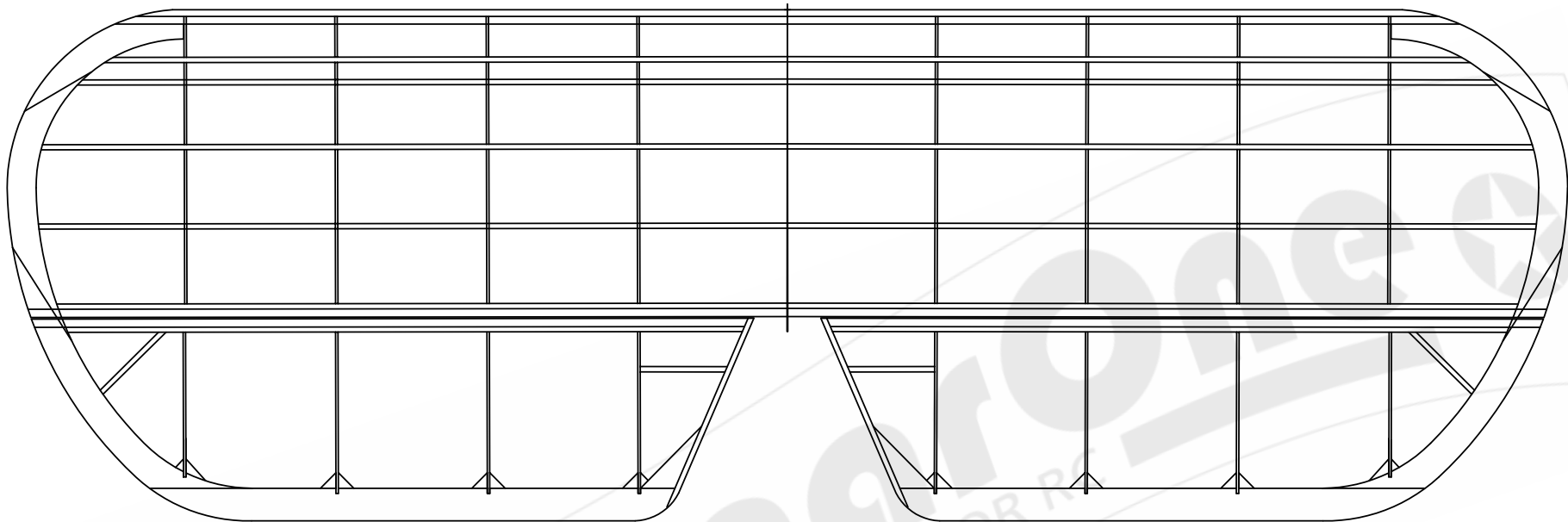


HanggarOne
SMALL SCALE &

INDOOR RC







Suggested Tailplane /Elevator Modification (not to scale)