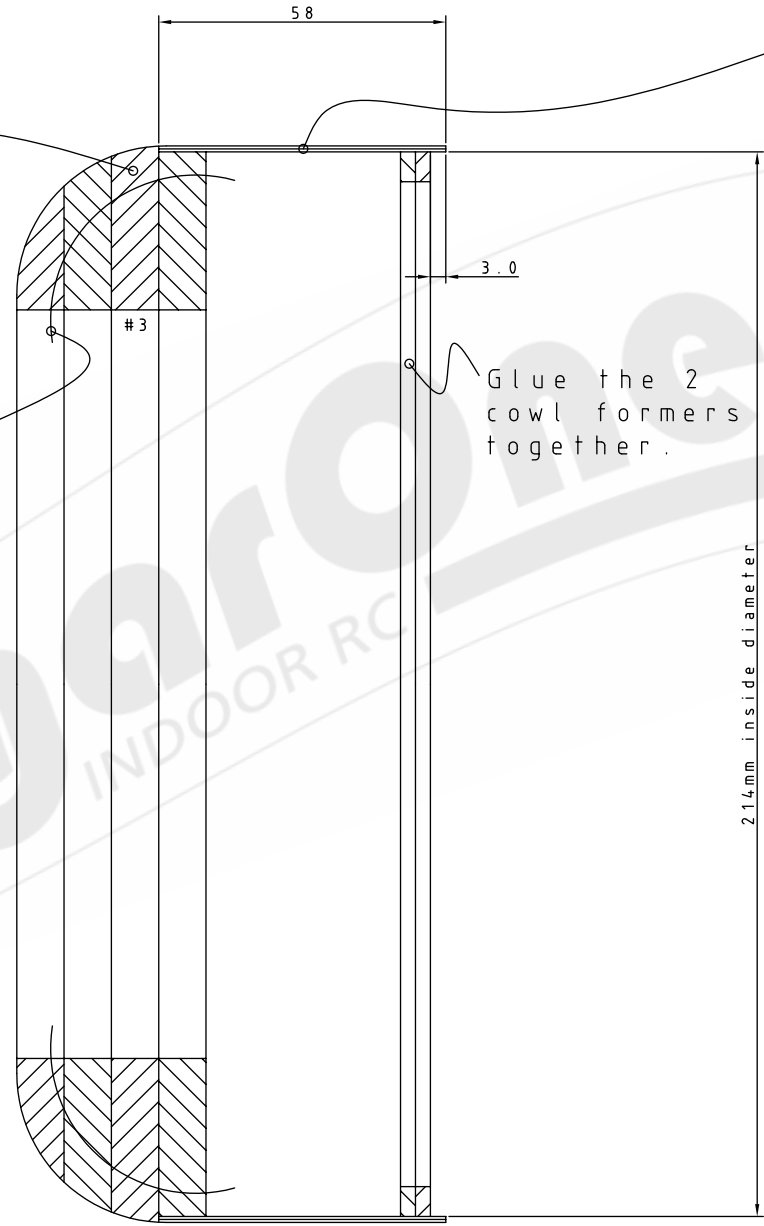


Assemble the rings ready to laminate together. They are all slightly oversize to allow for sanding. The ring marked with the #3 goes here as it is bigger than all the rest.

Remove the excess material after glassing the entire cowl.

Hanriot DuPont HD-1
Suggested Wood and Ply Cowling



Two layers of 0.6 mm Bass Ply - overlap joints and make sure the ply grain is parallel with the axis of the model for maximum stiffness.

Glue the 2 cowl formers together.

