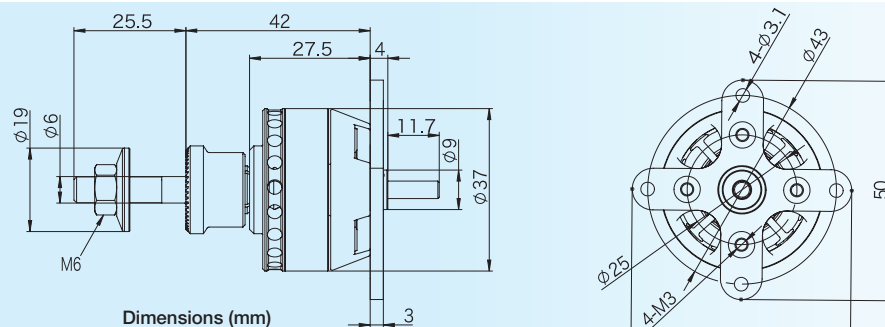


# Motor Dimensions / Specifications

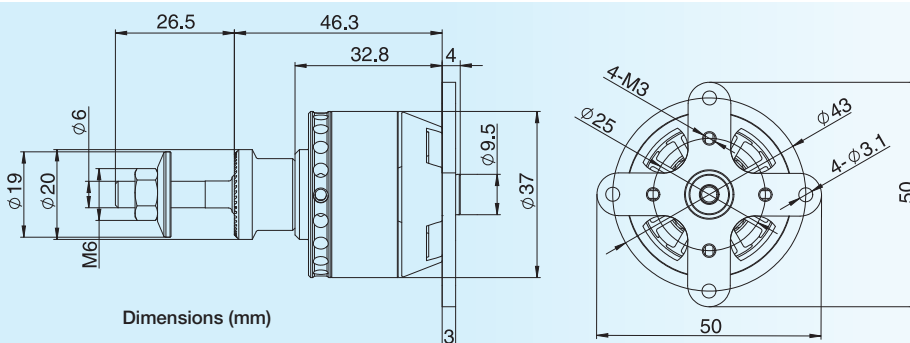
## OSMG9505 OMA-3805-1200

Shaft Diameter (mm)	Ø4.0
Shaft Length (mm)	11.7
Weight (g)	76
Lead Wire Length (mm)	50
Male Connector (mm)	Ø3.5



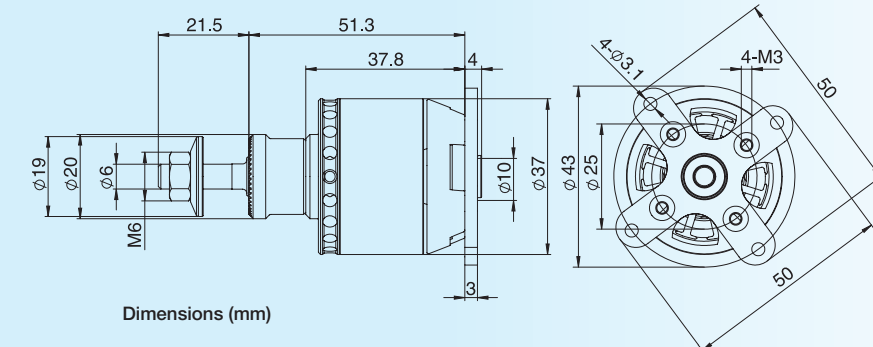
## OSMG9510 OMA-3810-1050

Shaft Diameter (mm)	Ø4.0
Shaft Length (mm)	11.7
Weight (g)	102
Lead Wire Length (mm)	50
Male Connector (mm)	Ø3.5



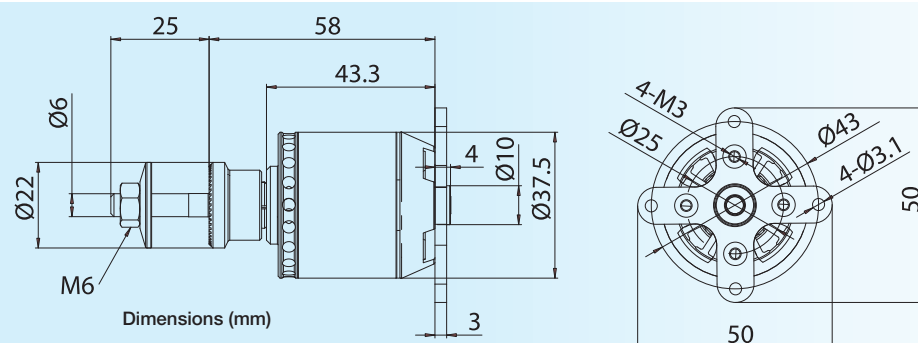
## OSMG9515 OMA-3815-1000

Shaft Diameter (mm)	Ø5.0
Shaft Length (mm)	11.7
Weight (g)	130
Lead Wire Length (mm)	50
Male Connector (mm)	Ø3.5



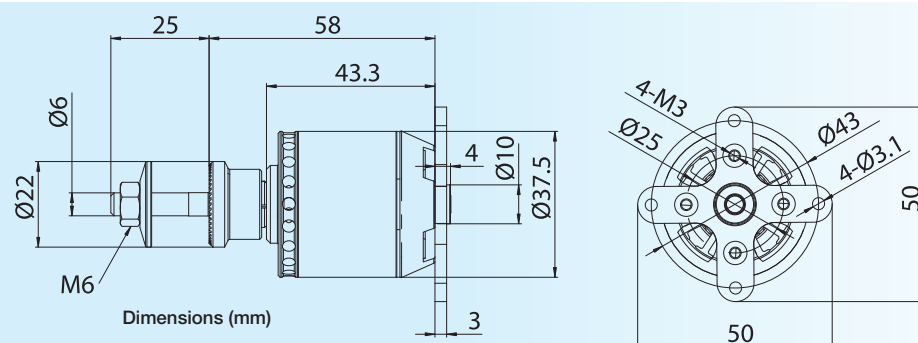
## OSMG9525 OMA-3820-1200

Shaft Diameter (mm)	Ø5.0
Shaft Length (mm)	11.5
Weight (g)	155
Lead Wire Length (mm)	90
Male Connector (mm)	Ø3.5



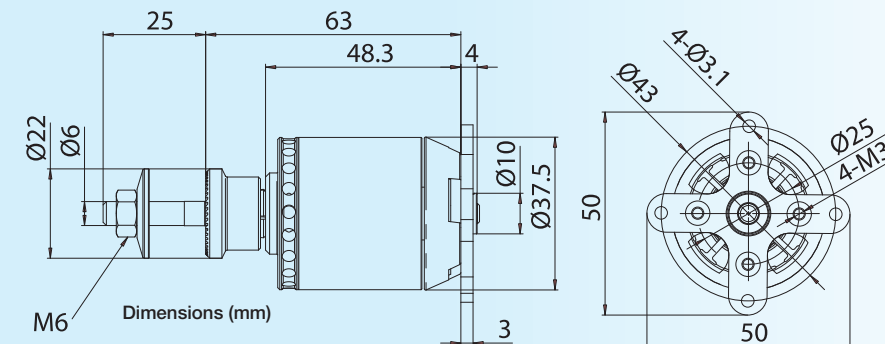
## OSMG9526 OMA-3820-960

Shaft Diameter (mm)	Ø5.0
Shaft Length (mm)	11.5
Weight (g)	160
Lead Wire Length (mm)	90
Male Connector (mm)	Ø3.5



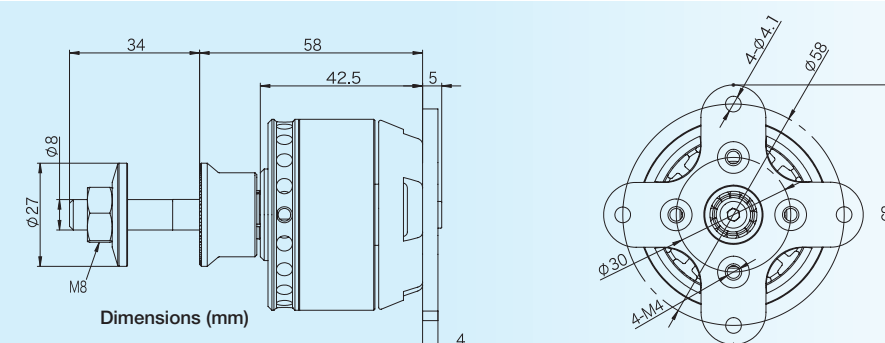
## OSMG9530 OMA-3825-750

Shaft Diameter (mm)	Ø5.0
Shaft Length (mm)	11.5
Weight (g)	190
Lead Wire Length (mm)	90
Male Connector (mm)	Ø3.5



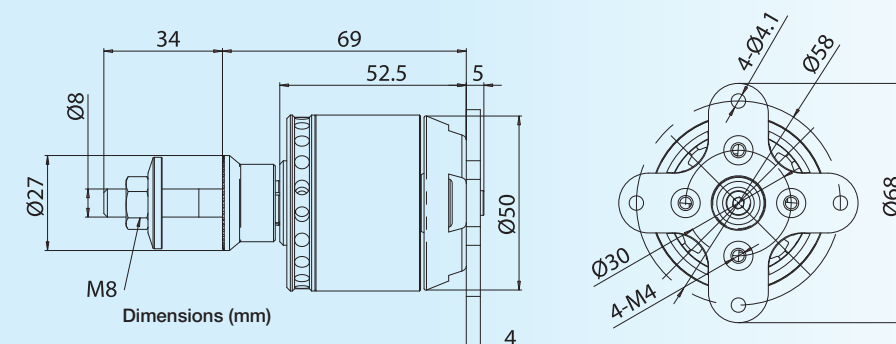
## OSMG9538 OMA-5010-810

Shaft Diameter (mm)	Ø6.0
Shaft Length (mm)	11.7
Weight (g)	234
Lead Wire Length (mm)	110
Male Connector (mm)	Ø4.0



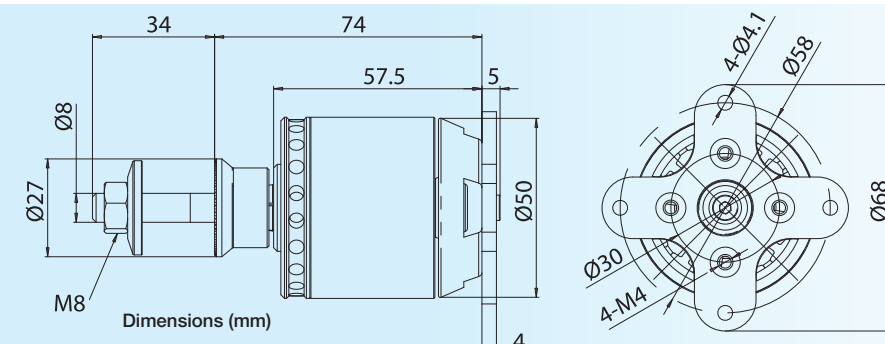
## OSMG9540 OMA-5020-490

Shaft Diameter (mm)	Ø6.0
Shaft Length (mm)	11.5
Weight (g)	350
Lead Wire Length (mm)	110
Male Connector (mm)	Ø4.0



## OSMG9550 OMA-5025-375

Shaft Diameter (mm)	Ø6.0
Shaft Length (mm)	11.5
Weight (g)	405
Lead Wire Length (mm)	125
Male Connector (mm)	Ø4.0



Stock Number	Items	Rated Power (W)	Rated Voltage (V)	Rated Current (A)	Maximum Current (5sec.) (A)	No-load Current (A)	Phase Resistance (mΩ)	Maximum Efficiency (%)	KV	Poles
OSMG9505	OMA-3805-1200	250	11.1	20	30	1.1	65.1	80+	1200	14
OSMG9510	OMA-3810-1050	333	11.1	30	50	1.1	51.3	85	1050	14
OSMG9515	OMA-3815-1000	388	11.1	35	60	1.1	36.5	85	1000	14
OSMG9525	OMA-3820-1200	440	11.1	40	75	1.9	21.4	85	1200	14
OSMG9526	OMA-3820-960	450	11.1	40	70	1.7	26.7	80+	960	14
OSMG9530	OMA-3825-750	590	14.8	40	75	1.5	31.0	85	750	14
OSMG9538	OMA-5010-810	700	14.8	45	80	1.8	24.5	85+	810	14
OSMG9540	OMA-5020-490	1110	22.2	50	90	1.5	23.0	85	490	14
OSMG9550	OMA-5025-375	1550	29.6	50	90	2.0	27.5	85	375	14